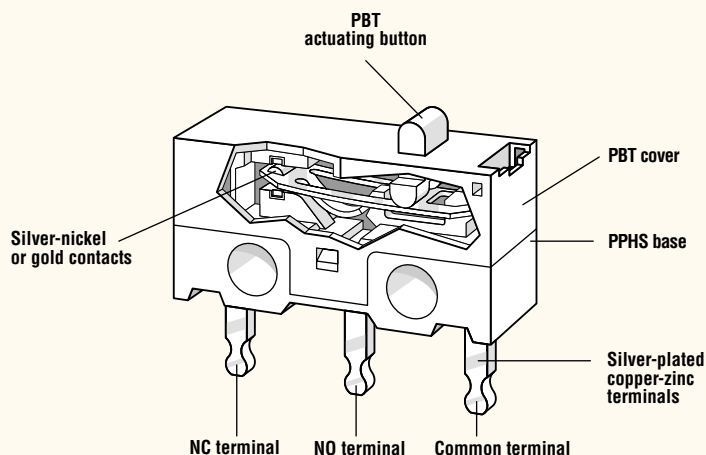


SUBMINIATURE DG Series

Features

- Small dimensions, just 0.504" x 0.228" x 0.256" (12.8mm x 5.8mm x 6.5mm)
- Depending on model, contact rating is suitable for low switched currents and voltages for light-current applications with loads of up to 3 amps 125VAC
- Available with or without auxiliary actuator
- Can be fitted to circuit boards in upright position or horizontally with terminals on left or right
- Mechanical life: min. 1 x 10⁶ operations (depending on model)



Electrical Ratings

| Switch Series | EN61058 Rating | UL1054 Rating | Electrical Life at Rated Load According to UL (Min. Operations) |
|---------------|----------------|-----------------------|---|
| DG1 | N/A | 3A, 125VAC; 2A, 30VDC | 6,000 |
| DG2 | N/A | 0.05A, 30VDC | 6,000 |
| DG4 | N/A | 1A, 125VAC; 1A, 30VDC | 6,000 |

Specifications

Electrical

Temperature Rating: -25 °C to +85 °C

Flammability Rating: UL9V-O

Materials

Base: PPHS

Cover: PBT

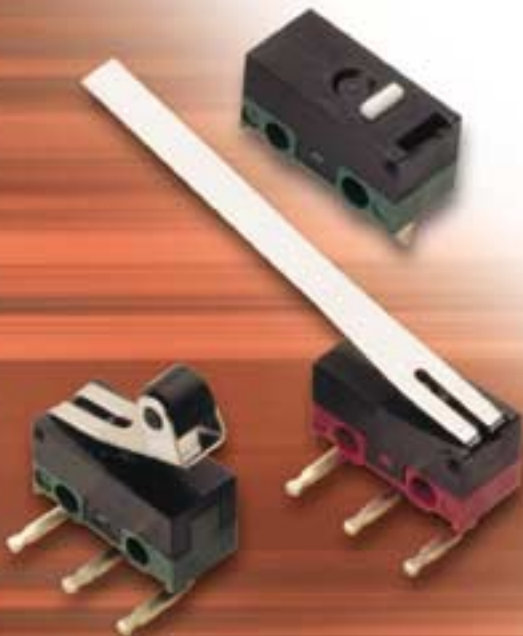
Actuator: PBT

Auxiliary Actuator: Stainless Steel

Terminals: Silver-Plated Brass

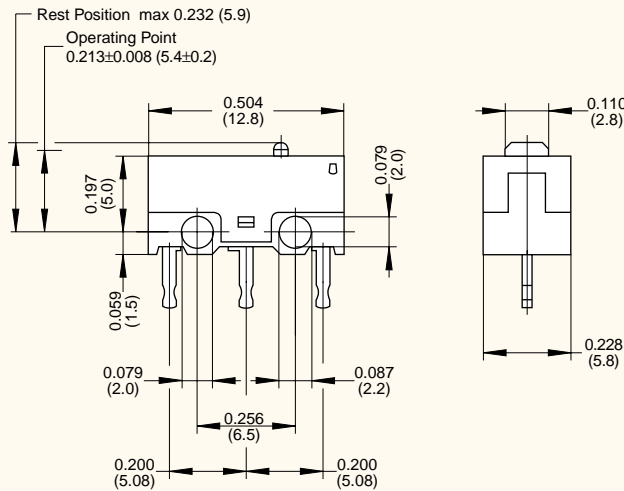
Contacts: Silver Alloy (DG1, DG4)
Gold Flash, Gold (DG2)

PBT = Polybutyleneterephthalate • PPHS = Polyphenylene sulphide

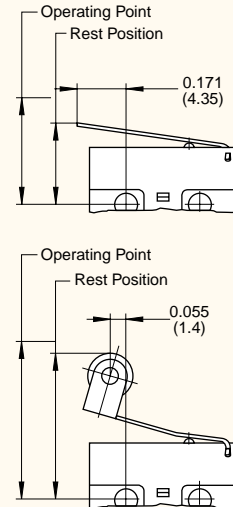




Dimensions inches (mm)

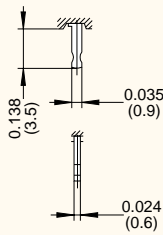


Auxiliary Actuators inches (mm)

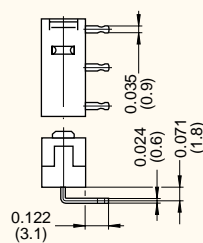


Terminal Options inches (mm)

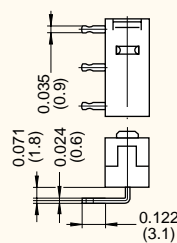
PCB Terminals Straight



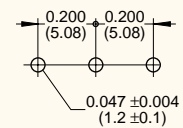
PCB Terminals RH Side



PCB Terminals LH Side



Drilling Pattern



Actuator Specifications

| Actuator Type | Switch Type | Maximum Operating Force (gms.) | | Maximum Pre-Travel inches (mm) | Operating Point inches (mm) | Maximum Over-Travel inches (mm) | Max. Movement Differential inches (mm) | Max. Rest Position inches (mm) |
|---------------|-------------|--------------------------------|--------------|--------------------------------|--------------------------------------|---------------------------------|--|--------------------------------|
| | | DG1, DG2 (B) | DG2, DG4 (C) | | | | | |
| AA | | 140 | 75 | 0.020 (0.51) | 0.213±0.008 (5.41±0.20) | 0.008 (2.20) | 0.007 (0.18) | — |
| LA | | 45 | 30 | 0.071 (1.80) | 0.268+0.031/-0.016 (6.81+0.79/-0.41) | 0.022 (0.55) | 0.020 (0.51) | 0.196 (4.98) |
| RA | | 60 | 35 | 0.059 (1.50) | 0.488±0.020 (12.40±0.51) | 0.022 (0.55) | 0.020 (0.51) | 0.322 (8.18) |

Ordering Information

DG | **1** | **3**

Series/Prefix | Code | Contact Configuration

3 | SPDT

| Code | Current Rating (UL & CSA) |
|------|---------------------------|
| 1 | 3A, 125VAC; 2A, 30VDC |
| 2 | 0.05A, 30VDC |
| 4 | 1A, 125VAC; 1A, 30VDC |

B | **1** | **AA**

| Code | Button Color/ Operating Force |
|------|-------------------------------|
| B | Grey / 140 grams* |
| C | Black / 75 grams** |

*140 gms not available on DG4
 **75 gms not available on DG1

| Code | Terminal Type |
|------|---------------|
| 1 | PCB, Straight |
| 2 | PCB, RH Side |
| 3 | PCB, LH Side |

| Code | Actuator Type |
|------|--|
| AA | Button (without Auxiliary Actuator) |
| LA | Straight Auxiliary Actuator, 0.169" (4.3mm) Long* |
| LB | Straight Auxiliary Actuator, 0.500" (12.7mm) Long* |
| LC | Straight Auxiliary Actuator, 1.012" (25.7mm) Long* |
| RA | Roller Auxiliary Actuator, 0.075" (1.9mm) Long* |

Actuator Length

*Actuator lengths are dimensioned from center line of switch mounting hole.