

**FEATURES**

- Lever ratio: 4.17
- Tab A option, initiates retain-er release action
- Maximum extraction force per extractor obtained with 20 pounds finger force=50 pounds; for standard and 6061-T6 Aluminum Alloy

**APPLICATIONS**

- Use with Series 24 Lok-Tainer™ Retainer
- Series 27 Lok-Tainer™ requires bent leg option of -1 and -2 PCB's, also 127-2 Series

Meets the requirements of drawing 84191, Defense Supply Center, Columbus (DSCC)

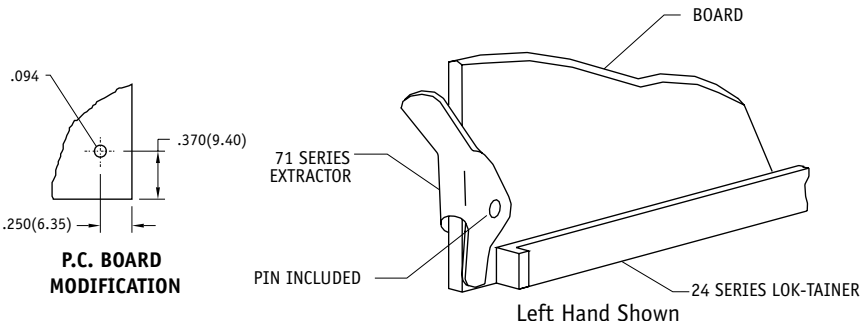
**WEIGHT**

- .05 ounce Aluminum
- .15 ounce Stainless Steel

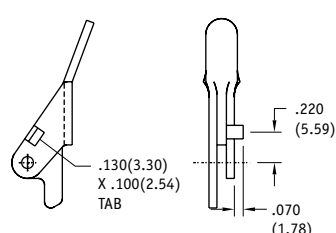
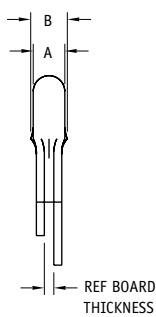
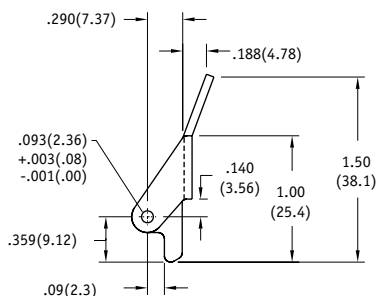


Series 71 Extractor

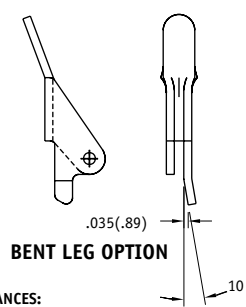
Meets DSCC 84191



**P.C. BOARD MODIFICATION**



**ACTUATOR TAB OPTION**



**BENT LEG OPTION**

**NOTE ON DIMENSIONS:**  
ENGLISH LISTED FIRST  
FOLLOWED BY METRIC  
IN PARENTHESES

**TOLERANCES:**  
UNLESS OTHERWISE SPECIFIED  
.XXX(.XX)=-.01(.25)  
.XX(.X)=-.02(.5)

**Part Number code**

Series 71 Extractor

	x	71	-x	-x	-x	-x	-x	-x	-x
--	---	----	----	----	----	----	----	----	----

**Straight Handle option**  
Select option (blank for none) \_\_\_\_\_ S

**Material**  
Select From Materials Table ② \_\_\_\_\_

**Board Thickness**  
Select dash number from Board Thickness Table ③ \_\_\_\_\_

**Hand Action**  
Left hand action (see reference diagram on pg.28) \_\_\_\_\_ L  
Right hand action (see reference diagram on pg.28) \_\_\_\_\_ R

**Actuator Tab option**  
Select option (Blank for none) \_\_\_\_\_ A

**Finish**  
Select dash number from Finish Table ① \_\_\_\_\_

**Bent Leg option**  
Select option (Blank for none) \_\_\_\_\_ BL

**ESD Symbol** \_\_\_\_\_ E

**① FINISH TABLE**

COLORS ARE AN ADDITIONAL CHARGE

DASH #	FINISH	COLOR
-1	ANODIZE PER MIL-A-8625	RED
-2	ANODIZE PER MIL-A-8625	BLUE
-3	ANODIZE PER MIL-A-8625	GREEN
-4	ANODIZE PER MIL-A-8625	YELLOW
-5	ANODIZE PER MIL-A-8625	BLACK
-6	ANODIZE PER MIL-A-8625	ORANGE
-7	ANODIZE PER MIL-A-8625	PURPLE
-8	ANODIZE PER MIL-A-8625	GRAY
-9	ANODIZE PER MIL-A-8625	BROWN
-10	ANODIZE PER MIL-A-8625	CLEAR
-CC	CHEM FILM PER MIL-C-5541	CLEAR
NONE	CHEM FILM PER MIL-C-5541	GOLD

**② MATERIALS TABLE**

DASH #	MATERIAL
NONE	.063 ALUMINUM ALLOY 5052-H32 PER QQ-A-250/8
T6	.063 ALUMINUM ALLOY 6061-T6
CR	.063 STAINLESS STEEL (-2 BOARD THICKNESS ONLY)

**③ BOARD THICKNESS TABLE**

DASH #	THICKNESS	A	B
-1	.031(0.787)	.25(6.35)	.26(6.60)
-2	.063(1.600)	.25(6.35)	.29(7.37)
-3	.094(2.390)	.25(6.35)	.29(7.37)
-4	.125(3.180)	.29(7.37)	.33(8.38)
-5	.156(3.960)	.29(7.37)	.33(8.38)