

Pb Free

RoHS Compliant

Features

- 0805 Size. Rated current up to 6A MAX.
- Effective for filtering noise on power (Vcc) lines.

Applications

- PCs, Laser Printers, Cellular Phone, Power/ Signal Lines for LCD Display, Office Equipments
- AV Power Supply/ Signal Line, TV, VCR, etc.
- High Current Signal Lines

How to Order

New P/N KNH 21 C104 DA 3T
 ① ② ③ ④ ⑤

① Series

② Size

21	2012
-----------	------

③ Capacitance

C106	10,000,000pF	C473	47,000pF
C105	1,000,000pF	C471	470pF
C104	100,000pF	C221	220pF

④ Application

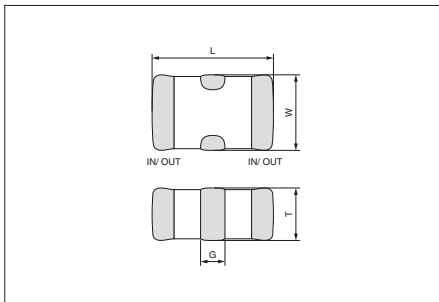
DA	Digital Circuit in General
-----------	----------------------------

⑤ Packaging

3T	T&R: 3000 pcs. (Std.)
-----------	-----------------------

Dimensions

(Unit: mm)

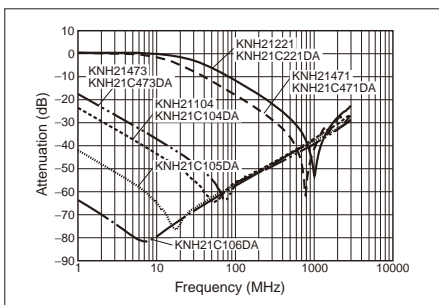


CODE	L	W
KNH21	2.0±0.2	1.25±0.2
CODE	T	G
KNH21	0.85±0.15	0.40±0.30
KNH21C106DA	1.0±0.15	

Specifications

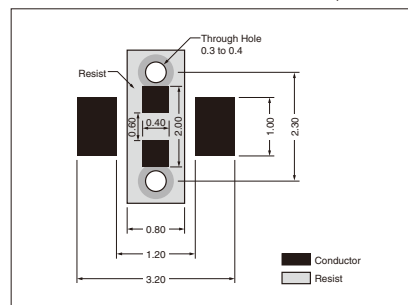
Part Number	Capacitance (+50/ -20%)	Rated Current	Rated Voltage	Temp. Coefficient of Capacitance
KNH21C106DA	10,000,000pF	6.0A	6.3VDC	±15%
KNH21C105DA	1,000,000pF	4.0A	10VDC	±15%
New: KNH21C104DA Old: KNH21104	100,000pF	2.0A	25VDC	±15%
New: KNH21C473DA Old: KNH21473	47,000pF	2.0A	50VDC	±15%
New: KNH21C471DA Old: KNH21471	470pF	1.0A	50VDC	±60ppm/ °C
New: KNH21C221DA Old: KNH21221	220pF	1.0A	50VDC	±60ppm/ °C

Attenuation Characteristics



Recommended Land Pattern

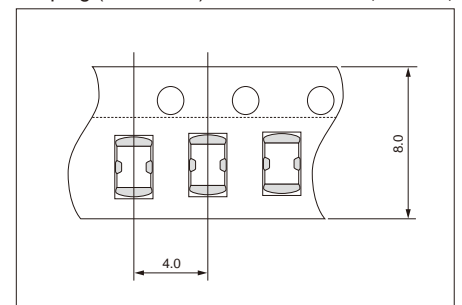
(Unit: mm)



Packaging Specification

• Taping (3000/ reel)

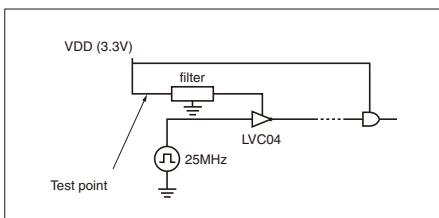
(Unit: mm)



<Electrical Characteristics>

- Wide attenuation range including surrounding circuit.

Test Circuit



Attenuation Effect of Power Supply Noise

