

■ **Features**

- Power Rating: 50W
- Input Voltage: 120-277Vac ± 10%
- Constant current design
- Fixed output current(900mA-2100mA)
- Efficiency to 85%
- Dimmable with 0-10V dimmer and trailing edge dimmer
- UL Class 2, Type HL
- OVP, OCP, OTP, and SCP
- 5-year warranty
- IP20 or IP66



*Product images are for illustrative purposes only and may vary from actual design.

■ **Application**

- Indoor or outdoor lights

■ **Model List***(See part number scheme for model number details)

Model Number	Input Voltage Range	Output Power	Output Voltage	Output Current Min.	Output Current Max.	Efficiency	Certification
LXWCD050S090PS	120-277Vac ± 10%	50W	28-56V	900mA	900mA	85%@120V 85%@240V 84%@277V	UL/-
LXWCD050S100PS	120-277Vac ± 10%	50W	25-50V	1000mA	1000mA	85%@120V 85%@240V 84%@277V	UL/-
LXWCD050S105PS	120-277Vac ± 10%	50W	24-48V	1050mA	1050mA	85%@120V 85%@240V 84%@277V	UL/-
LXWCD050S110PS	120-277Vac ± 10%	50W	23-45V	1100mA	1100mA	85%@120V 85%@240V 84%@277V	UL/-
LXWCD050S120PS	120-277Vac ± 10%	50W	21-42V	1200mA	1200mA	85%@120V 85%@240V 84%@277V	UL/-
LXWCD050S130PS	120-277Vac ± 10%	50W	19-38V	1300mA	1300mA	85%@120V 85%@240V 84%@277V	UL/-
LXWCD050S140PS	120-277Vac ± 10%	50W	18-36V	1400mA	1400mA	85%@120V 85%@240V 84%@277V	UL/cUL
LXWCD050S1450PS	120-277Vac ± 10%	50W	17-34V	1450mA	1450mA	84%@120V 83%@240V 83%@277V	UL/cUL
LXWCD050S150PS	120-277Vac ± 10%	50W	17-33V	1500mA	1500mA	84%@120V 83%@240V 83%@277V	UL/cUL

Technical Sales / Customer Service: +1-818-338-7788 • Email: sales@autec.com

31328 Via Colinas Suite 102 • Westlake Village, CA 91362 USA • www.autec.com

June 13, 2019

■ **Model List(cont.)**

Model Number	Input Voltage Range	Output Power	Output Voltage	Output Current Min.	Output Current Max.	Efficiency	Certification
LXWCD050S160PS	120-277Vac \pm 10%	50W	16-31V	1600mA	1600mA	84%@120V 83%@240V 83%@277V	UL/cUL
LXWCD050S170PS	120-277Vac \pm 10%	50W	15-29V	1700mA	1700mA	84%@120V 83%@240V 83%@277V	UL/cUL
LXWCD050S180PS	120-277Vac \pm 10%	50W	14-28V	1800mA	1800mA	84%@120V 83%@240V 83%@277V	UL/cUL
LXWCD050S190PS	120-277Vac \pm 10%	50W	13-26V	1900mA	1900mA	84%@120V 83%@240V 83%@277V	UL/cUL
LXWCD050S200PS	120-277Vac \pm 10%	50W	13-25V	2000mA	2000mA	84%@120V 83%@240V 83%@277V	UL/cUL
LXWCD050S210PS	120-277Vac \pm 10%	50W	12-24V	2100mA	2100mA	84%@120V 83%@240V 83%@277V	UL/cUL

■ **Technical Data**

Input voltage range	120~277Vac \pm 10%
Frequency	50/60Hz
Power factor	> 0.9 under 120~277Vac input with 80~100% load condition (for all output currents)
Inrush current	20A @230V
Max input current	0.52A @120V, 0.28A@240V, 0.24A @277V
THD	< 20% under 120~277Vac input with 80~100% load condition (for all output currents)
Load Regulation	\pm 2%
Line Regulation	\pm 1%
Output Tolerance	\pm 5% at full load condition
Turn-on Delay Time	< 0.75s at full load condition
Overshoot	< 10% at full load condition
No Load Power Consumption	< 2W
Ripple & Noise (pk-pk)	< 10%
Withstand voltage	Input to output, 2,800Vdc, 2mA

Technical Sales / Customer Service: +1-818-338-7788 • Email: sales@autec.com

31328 Via Colinas Suite 102 • Westlake Village, CA 91362 USA • www.autec.com

June 13, 2019

2 / 7

■ Technical Data(cont.)

Leakage current	Maximum 0.5mA at 277Vac, 60Hz input
Protection	<p>Over voltage protection: Hiccup mode. Protection will trigger when load voltage exceeds specified output voltage and will auto recover after the fault mode is removed.</p> <p>Over current protection: Hiccup mode. Protection will trigger when load current exceeds specified output current and will auto recover after the fault mode is removed.</p> <p>Short circuit protection: Hiccup mode. Protection will trigger when short circuit and will auto recover after the fault mode is removed.</p> <p>Over temperature protection: Protection will trigger when driver overheat and auto-recovery when cooled down.</p>
Operating temperature	-40 to 60°C
Storage temperature	-40 to 85°C
Humidity	5% to 95%
MTBF	235,000 hours at 40°C ambient (~70°C case temp)
Life rating	85,000 hours at 120Vac input, 100% load and 60°C case temperature
Maximum case Temperature	90°C
Length (L)	5.54" (141mm)
Width (W)	1.86" (47mm)
Height (H)	1.26" (32mm)
Mounting (M)	5.08" (129mm)
Weight	0.40Kg
Packing	0.40kg / unit; 40pcs / carton; 1,800pcs / pallet

■ Safety Compliance

UL/cUL	UL 8750, Type HL
CE	EN61347-1, EN61347-2-13
FCC, 47CFR Part 15	Class B (Consumer Limit)
EN61000-3-2	Harmonic Current Emissions Class C

Disclaimer:

Autec Power Systems' (Autec) LED Drivers are Hi-Pot tested during the manufacturing process. Autec assumes no responsibility for secondary Hi-Pot testing at customer location or designated production line(s). Should customer require further Hi-Pot testing, at their own production line, following assembly of the LED Driver into the customer's assembled fixture, Autec requests advance notice. This request must be communicated to Autec in a timely manner and is recommended to be requested at time of issuing each purchase order.

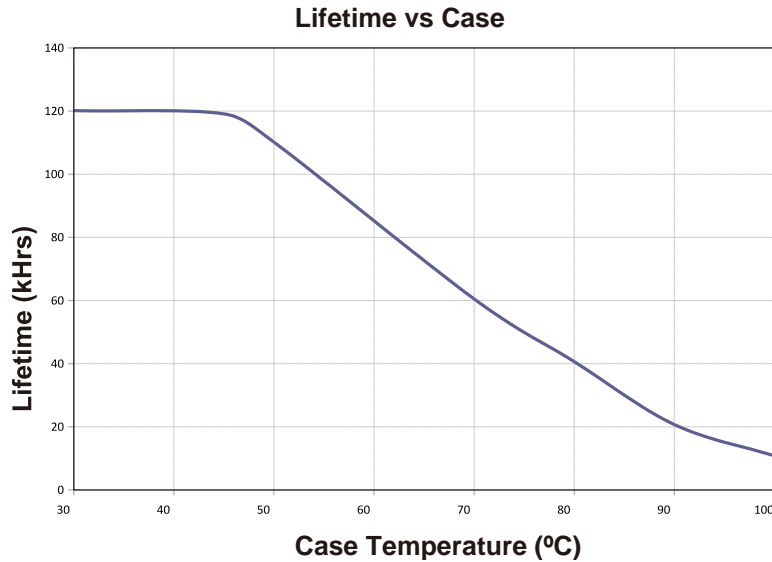
Technical Sales / Customer Service: +1-818-338-7788 • Email: sales@autec.com

31328 Via Colinas Suite 102 • Westlake Village, CA 91362 USA • www.autec.com

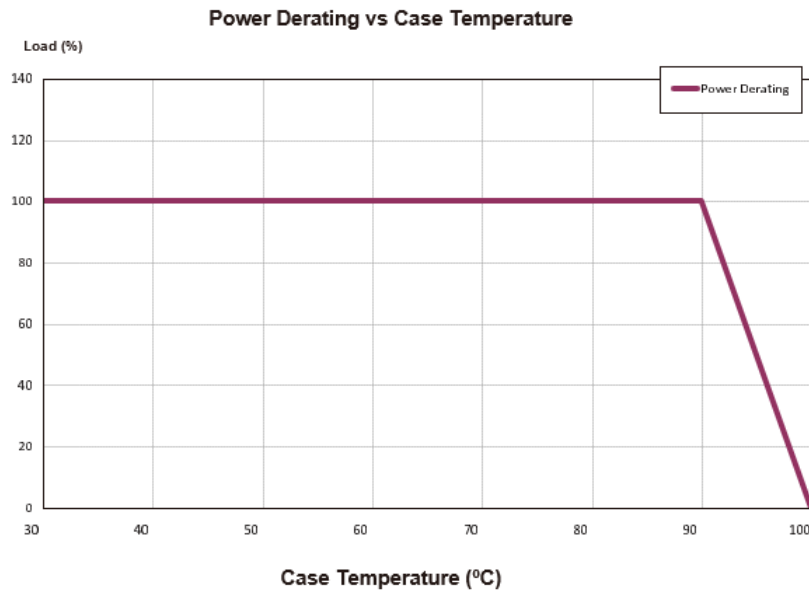
June 13, 2019

3 / 7

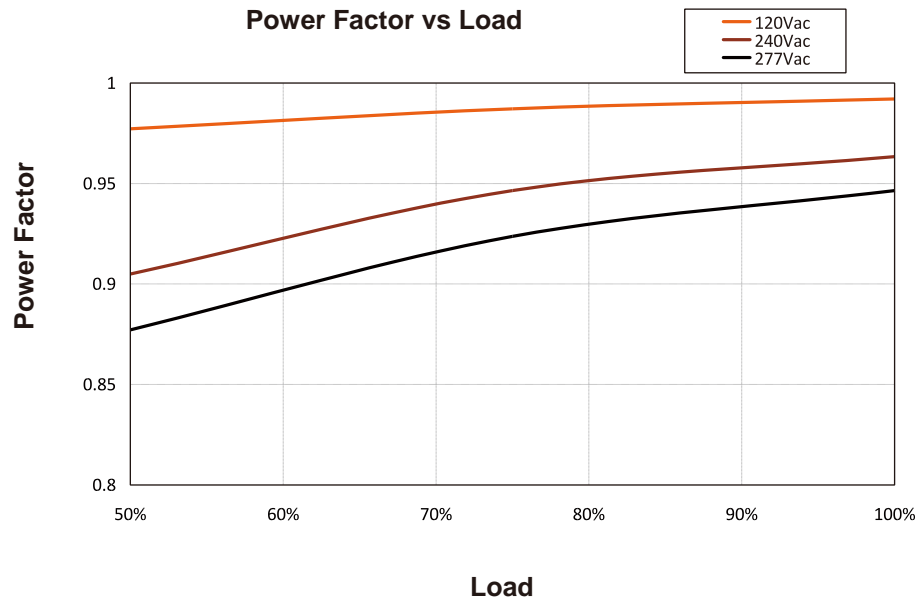
■ Lifetime vs Case Temperature



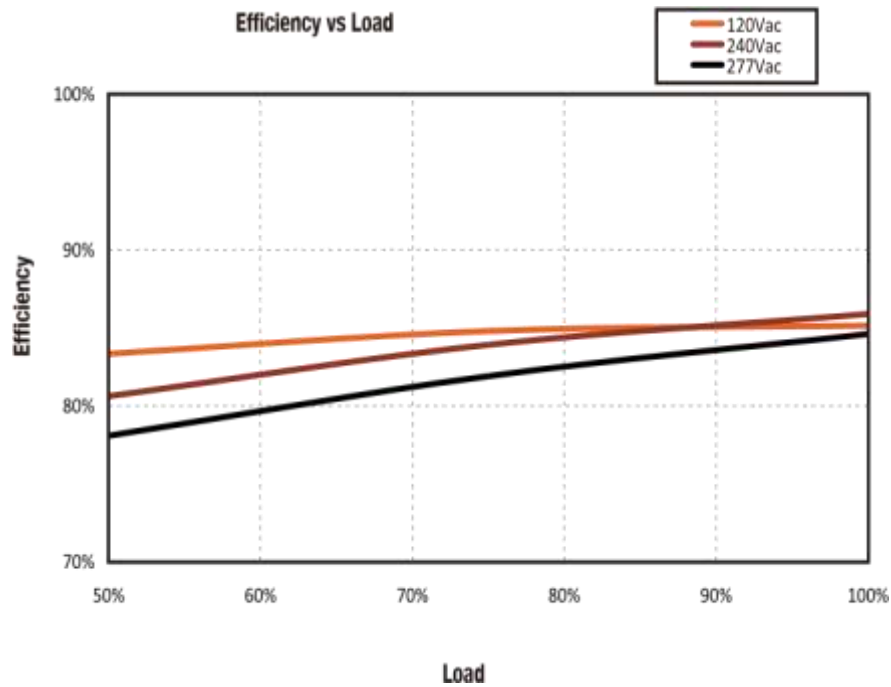
■ Power Derating vs Case Temperature



■ Power Factor vs Load



■ Efficiency vs Load



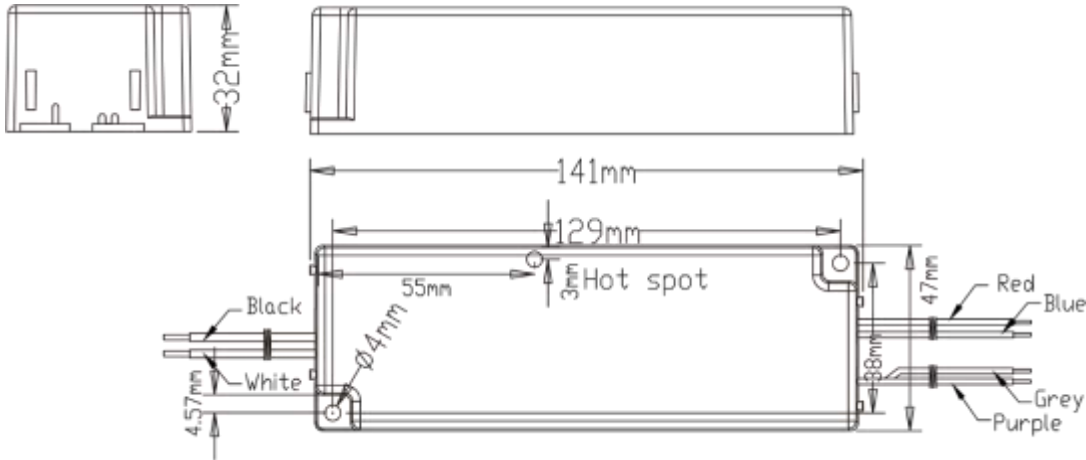
Technical Sales / Customer Service: +1-818-338-7788 • Email: sales@autec.com

31328 Via Colinas Suite 102 • Westlake Village, CA 91362 USA • www.autec.com

June 13, 2019

5 / 7

■ Wiring Diagram



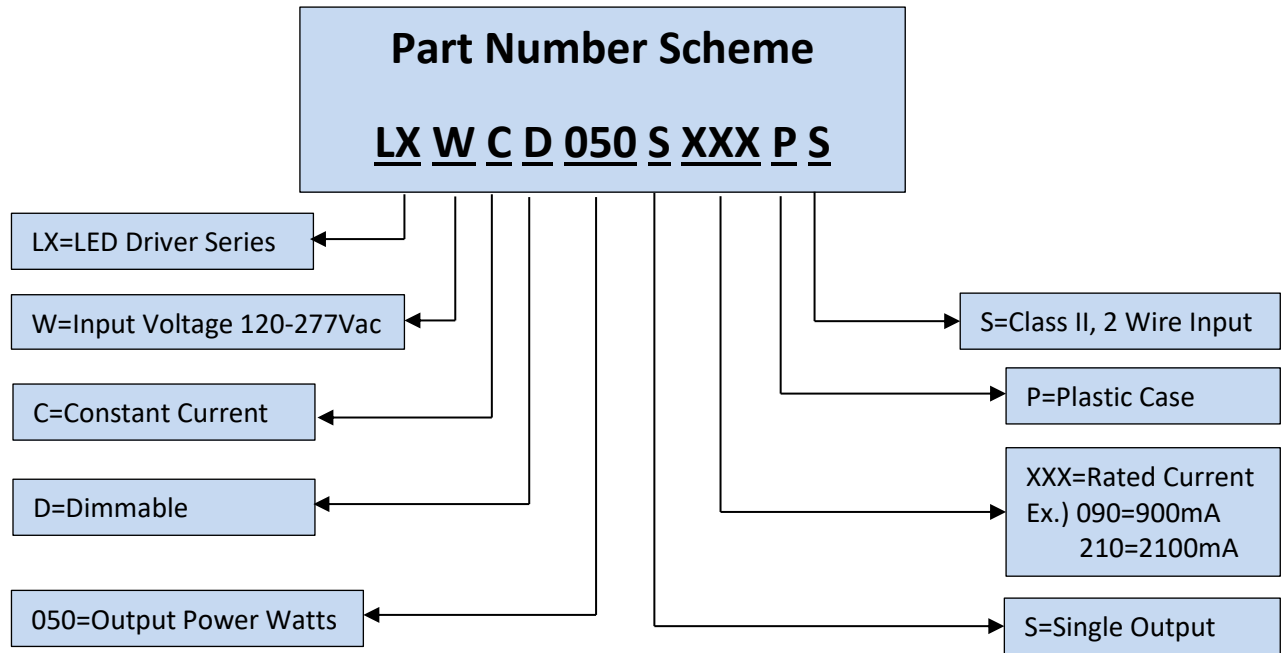
Wire Specifications	
Input	12", UL 1569 #18AWG (Black and White)
Output	12", UL 1430 #22AWG (Red and Blue)
Dimming	12", UL 1430 #22AWG (Purple and Grey)

Technical Sales / Customer Service: +1-818-338-7788 • Email: sales@autec.com

31328 Via Colinas Suite 102 • Westlake Village, CA 91362 USA • www.autec.com

June 13, 2019

6 / 7



***Product images are for illustrative purposes only and may vary from actual design.**

***Specifications are subject to change without notice. Autec is not responsible for issues arising from errors or omissions.**

Technical Sales / Customer Service: +1-818-338-7788 • Email: sales@autec.com

31328 Via Colinas Suite 102 • Westlake Village, CA 91362 USA • www.autec.com

June 13, 2019

7 / 7