

■ **Features**

- Power Rating: 30W
- Input Voltage: 100-277Vac
- Constant current design
- Output current (200-750mA)
- Efficiency up to 85%
- SCP, OCP
- 0-10V/PWM/RX dimming
- 0-100% dimming range, Dim-to-off
- SELV output design
- 5-year warranty
- Surge Protection:1KV



*Product images are for illustrative purposes only and may vary from actual design.

■ **Application**

- Indoor or Outdoor lights

■ **Model List***(See part number scheme for model number details)

Model Number	Input Voltage Range	Output Power	Output Voltage	Output Current Min.	Output Current Max.	Efficiency	Certification
LFWCD030S020ST-L	100-277Vac	8W	25-40V	200mA	200mA	85%	UL/cUL
LFWCD030S025ST-L	100-277Vac	10W	25-40V	250mA	250mA	85%	UL/cUL
LFWCD030S030ST-L	100-277Vac	12W	25-40V	300mA	300mA	85%	UL/cUL
LFWCD030S035ST-L	100-277Vac	14W	25-40V	350mA	350mA	85%	UL/cUL
LFWCD030S040ST-L	100-277Vac	16W	25-40V	400mA	400mA	85%	UL/cUL
LFWCD030S045ST-L	100-277Vac	18W	25-40V	450mA	450mA	85%	UL/cUL
LFWCD030S050ST-L	100-277Vac	20W	25-40V	500mA	500mA	85%	UL/cUL
LFWCD030S055ST-L	100-277Vac	22W	25-40V	550mA	550mA	85%	UL/cUL
LFWCD030S060ST-L	100-277Vac	24W	25-40V	600mA	600mA	85%	UL/cUL
LFWCD030S065ST-L	100-277Vac	26W	25-40V	650mA	650mA	85%	UL/cUL
LFWCD030S070ST-L	100-277Vac	28W	25-40V	700mA	700mA	85%	UL/cUL
LFWCD030S075ST-L	100-277Vac	30W	25-40V	750mA	750mA	85%	UL/cUL

■ **Technical Data**

Input Voltage	100-277Vac
Input Frequency	50/60Hz
Power Factor	PF>0.9@115Vac/230Vac/277Vac, 100% load
THD	<15%@115Vac/230Vac/277Vac, 100% load
Current accuracy	5%Io
Efficiency	85%@100-277Vac & 100% load,

Technical Sales / Customer Service: +1-818-338-7788 • Email: sales@autec.com

31328 Via Colinas Suite 102 • Westlake Village, CA 91362 USA • www.autec.com

February 5, 2019

1 / 3

■ **Technical Data(cont.)**

Output Voltage	25-40V
Short-Circuit Protection	The Driver's input power will decrease to less than 5W, when short circuit occurs. The driver will auto-recover when the fault is removed
Open Circuit Protection	When the maximum output voltage is reached, will enter hiccup mode and will go into self-recovery after fault condition is removed.
Weight	210g
Dimensions	205x30x20mm
Packing	50pcs/carton; carton dimensions: 420x320x165mm

■ **Safety Compliance**

Safety	EN61347-1, EN61347-2-13; UL8750, CSA C22.2No.250.13-12
Insulation Resistance	Input to Output >100M Ohms/500Vdc/25°C
Dielectric Strength Hi-Pot	Primary to Secondary: 3750; 5mA; 60S
	Primary to Earth: 1500; 5mA; 60S
	Secondary to Earth: 500; 5mA; 60S
EMI Compliance	EN55015, EN61000-3-2, EN61000-3-3
EMS Compliance	EN61000-4-2,3,4,5,6,8,11, EN61547
ESD	Severity Level 3/3 ±8KV
	Severity Level 2/2 ±4KV
RF	80-1000MHZ; Severity Level 2/2 3V/M Performance Criterion A
EFT	Severity Level 2/2 1KV
	Severity Level 3/3 2KV
	Performance Criterion B

■ **Dimming Feature**

Dimming Function		0-10V				PWM			RX			
		✓				✓			✓			
0-10V	0	1	2	3	4	5	6	7	8	9	10	open
Ir	0	4.5%	16%	27%	38%	50%	62%	74%	85%	94%	99%	99%
PWM	0	10%	20%	30%	40%	50%	60%	70%	80%	90%	100%	open
Ir	0%	0%	14%	25%	37%	49%	61%	73%	85%	92%	99%	99%
RX	0	2.2K	3.6K	5K	7K	9K	12K	14.5K	18K	23.5K	50K	
IR	0	10%	20%	30%	40%	50%	60%	70%	80%	90%	100%	

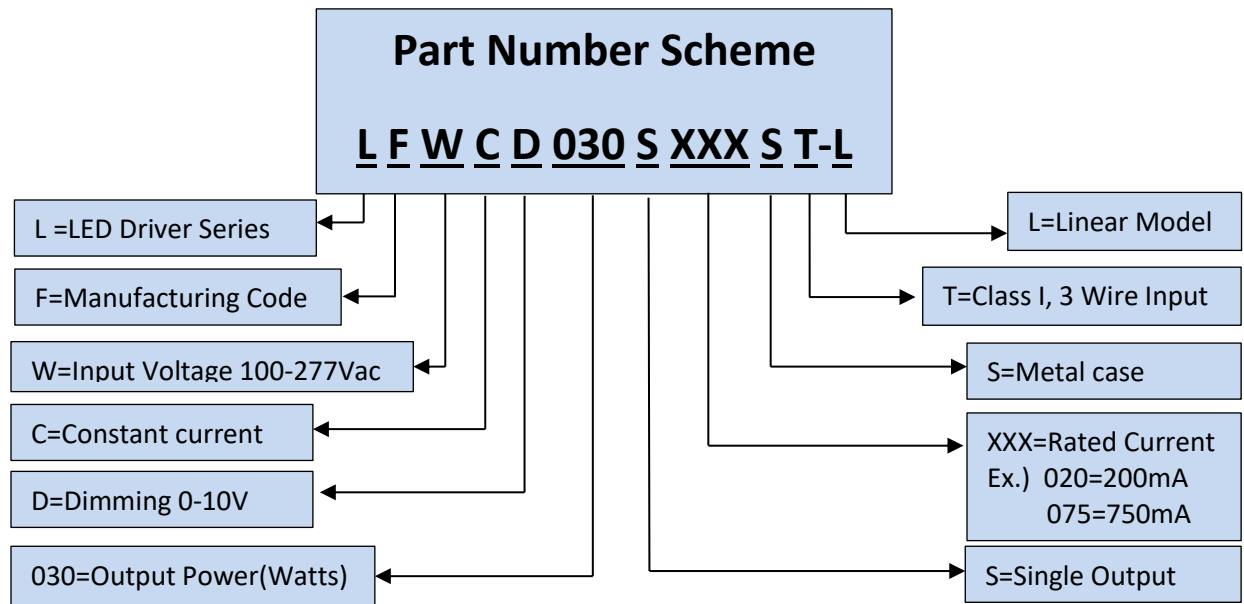
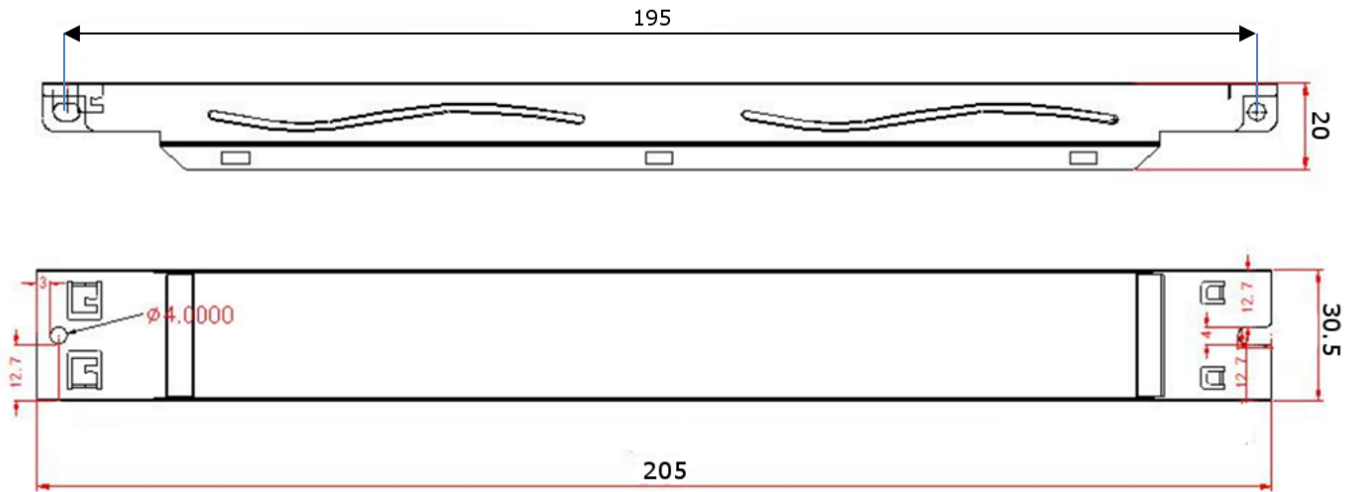
Technical Sales / Customer Service: +1-818-338-7788 • Email: sales@autec.com

31328 Via Colinas Suite 102 • Westlake Village, CA 91362 USA • www.autec.com

February 5, 2019

2 / 3

■ **Mechanical Diagram**



***Product images are for illustrative purposes only and may vary from actual design.**

***Specifications are subject to change without notice. Autec is not responsible for issues arising from errors or omissions.**

Technical Sales / Customer Service: +1-818-338-7788 • Email: sales@autec.com

31328 Via Colinas Suite 102 • Westlake Village, CA 91362 USA • www.autec.com

February 5, 2019

3 / 3