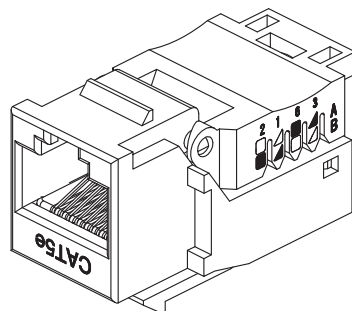
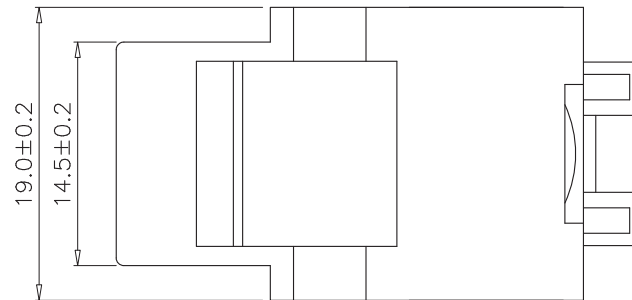
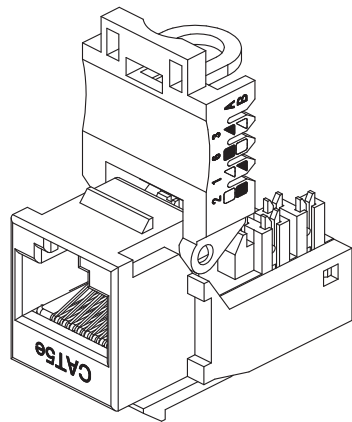


**Material:**

- 1 RJ45 Jack Housing: ABS, UL94V-0  
- with optional color
2. Jack Bracket Set: PBT, UL94V-0
3. RJ45 Jack Contact Material & Finished  
- Phosphor Bronze  
- Contact area: Min. 3MM 50 Micro-inch Gold plated over Nickel plated
4. IDC Housing: PC, 94V-2
5. IDC Terminal material & finished:  
- Phosphor Bronze w/Min. 50 Micro-inch Tin plated  
- Suitable for 23-24AWG stranded & solid wire
6. IDC CAP: PC, UL94V-2

**Electrical:**

- Wiring: T568A & T568B
- Insertion Force: 900 GM for 8 contacts
- Retention Strength: 7.7Kg between Jack & Plug
- Operating Temperature: -10°C ~ +60°C
- Durability: Jack: 750 cycles Plug-Jack mating and unmating test, Insertion cycles at 20 cycles/minute max. Contact resistance test per 100 cycles.
- The Cat.5e transmission performance is in compliance with the ANSI/TIA/EIA 568 B.2 standard



Unit: MM±0.1MM



1840 W. Drake Drive, Suite 101 • Tempe, AZ 85283  
Toll Free: 1-855-734-4487 • Email: info@assmann.us

THIS DRAWING IS UNPUBLISHED  
©Copyright 2011 by Assmann WSW components  
All International Rights Reserved

**RoHS**  
Compliant

ITEM NO.

**DN-93501-U/Y**


TITLE

Cat.5e Unshielded Keystone Jack -  
90° Tool Free Type, Yellow

## Keystone Jack Installing Instruction

DN-93501-U/X and DN-93601-U/X

**1**



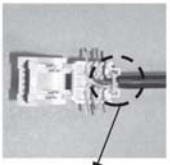
Strip approximately 30mm of the cable jacket, and separate to 4 pair each.  
**Attn: Suitable for 23-24 AWG Solid Wire**

**2**

Colored Sticker		T568A		T568B			
2	1	6	3	Pin 1	White/Green	Pin 1	White/Orange
■	■	■	■	Pin 2	Green	Pin 2	Orange
A	B	A	B	Pin 3	White/Orange	Pin 3	White/Green
5	4	7	8	Pin 4	Blue	Pin 4	Blue
■	■	■	■	Pin 5	White/Blue	Pin 5	White/Blue
B	A	B	A	Pin 6	Orange	Pin 6	Green
				Pin 7	White/Brown	Pin 7	White/Brown
				Pin 8	Brown	Pin 8	Green

---


**3**



Follow the direction on the plastic lid color-coding to position T568A or T568B wiring, separate a little space on proper position and insert the wire pair by pair into each slot.

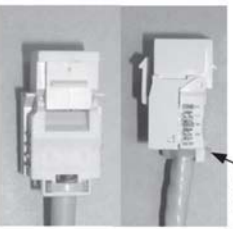
**Unshielded type**

**4**



Plug the easy tool into upper hole, then press down to close plastic lid to connect the wires.

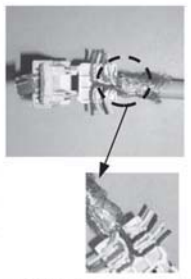
**5**



**Complete the installation.**

---


**3**



Follow the direction on the plastic lid color-coding to position T568A or T568B wiring, separate a little space on proper position and insert the wire pair by pair into each slot.

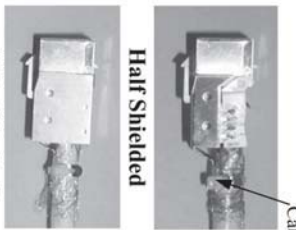
**Shielded type**

**4**



Plug the easy tool into upper hole, then press down to close plastic lid to connect the wires.

**5**



**Half Shielded**

**Fully Shielded**

Insert the cable tie to tight up the cable jacket. Then complete the installation.