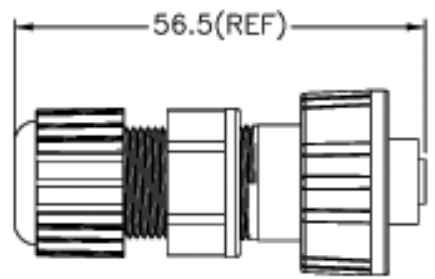
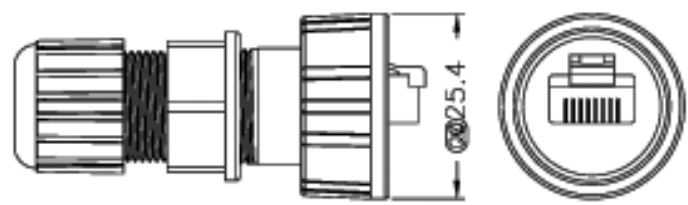
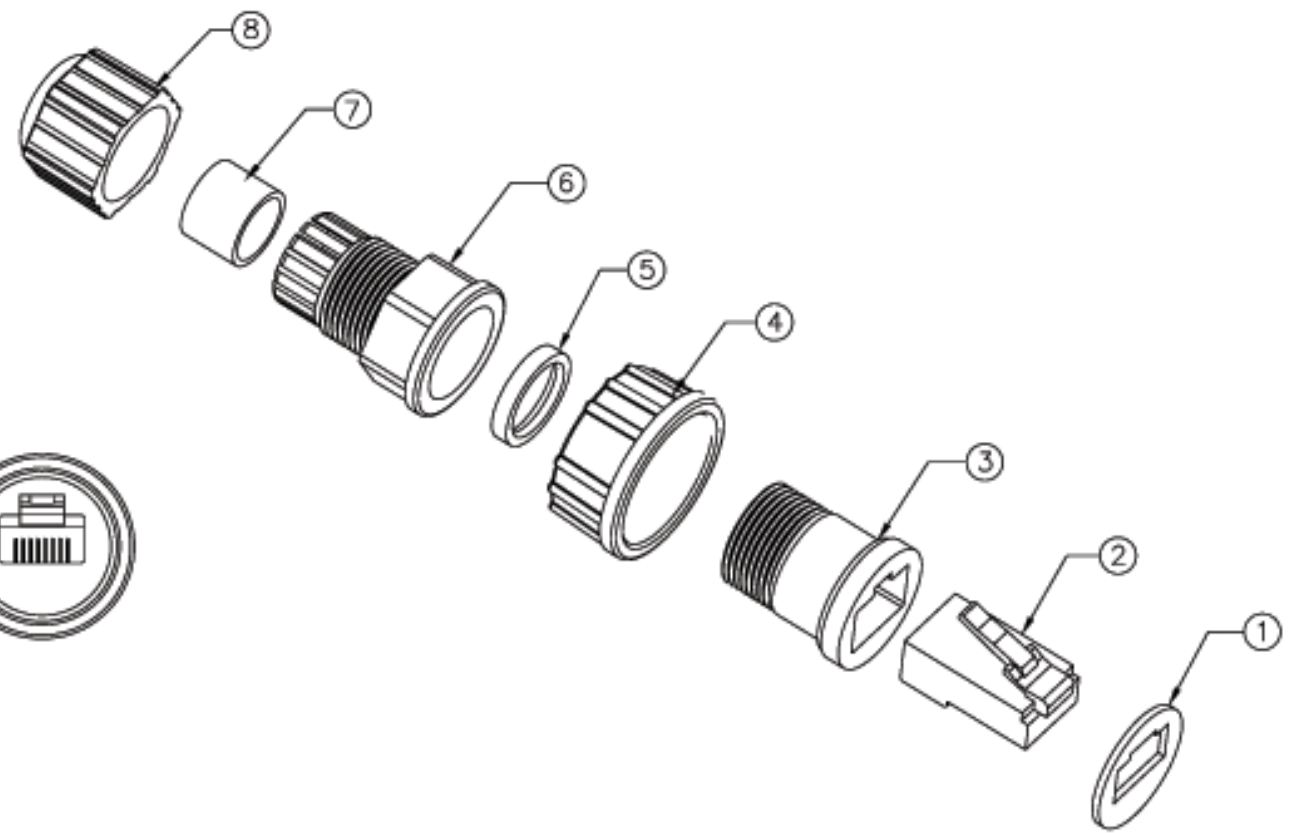


REV.	CON. NO.	DATE	BY	DESCRIPTION

APPROVED	
SIGNATURE	
DATE	



- Note:
- * @ Important Dimension.
(@為重點尺寸)
 - * Waterproof Rate : IP67
 - * Plug:8P8C,Gold Plated
 - * One Set Unassembled in One PE Bag
(每一組未組裝, 放置於一個PE袋, 並封口)

UNIT:mm		TITLE BP8C Plug for Cable Assembly Type
TOLERANCE .X ±0.25 .XX ±0.1 .XXX ±0.05 ANGLES ±1°	SCALE Free	SHEET 1 OF 1
REV. 01	SIZE A4	:inspection item



ITEM NO A-RJ45M-SR-R	DRAWN BY DongYaLi	DATE 2006/05/23
DWG NO	CHECKED BY Robert Hsu	DATE 2006/05/30
	APPROVED BY Max	DATE 2006/06/02

THIS INFORMATION IS CONFIDENTIAL AND IS DISCLOSED TO YOU ON CONDITION THAT NO FURTHER DISCLOSURE IS MADE BY YOU TO OTHER THAN LHM PERSONNEL WITHOUT AUTHORIZATION FROM LHM CORP.