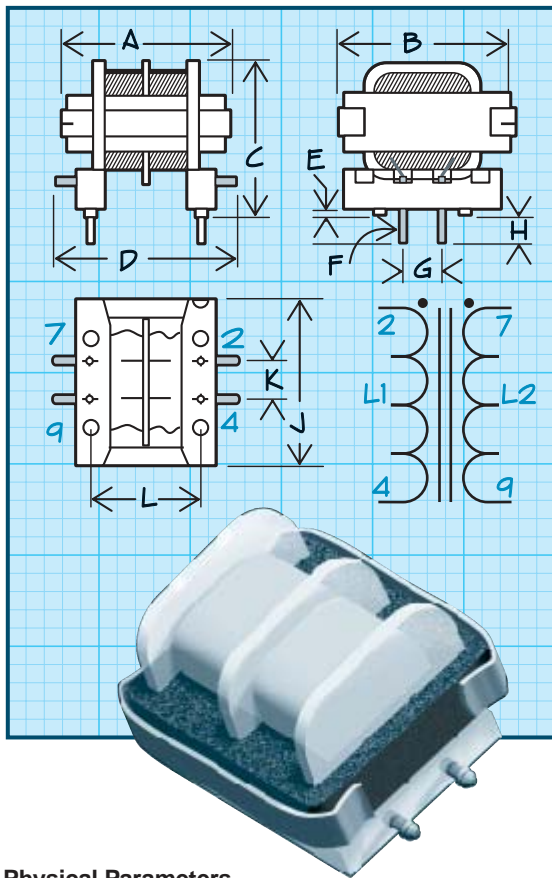


# Series CM7560

## PC Mount Common Mode Choke



### Physical Parameters

	Inches	Millimeters
A	0.860 ± 0.025	21.8 ± 0.64
B	1.070 ± 0.050	27.2 ± 1.27
C	0.830 ± 0.030	21.1 ± 0.76
D	1.060 (Ref. Only)	26.9 (Ref. Only)
E	0.040 ± 0.025	1.0 ± 0.64
F	0.025 Sq. (Typ.)	0.64 Sq. (Typ.)
G	0.400 ± 0.010	10.2 ± 0.3
H	0.175 ± 0.015	4.4 ± 0.38
J	1.03 (Ref. Only)	26.2 (Ref. Only)
K	0.400 ± 0.010	10.2 ± 0.3
L	0.630 ± 0.010	16.0 ± 0.3

**Operating Temperature Range** -55°C to +125°C

**Current Rating at 85°C Ambient** 40°C Rise

**Mechanical Configuration** Tape wrapped winding sections; varnish impregnated assembly

**Notes** 1) Inductance in table is for either L1 or L2.  
 2) Leakage Inductance tested at L1 with L2 shorted or at L2 with L1 shorted. 3) Windings balanced within 1%.

**Packaging** Bulk only

PART NUMBER	L (μH) L1 or L2 @ 1kHz ± 25%	DC RESISTANCE MAXIMUM (Ohms)	CURRENT RATING MAXIMUM (Amps)	LEAKAGE INDUCTANCE MAXIMUM (μH)
CM7560-563	56	0.013	5.5	3.5
CM7560-683	68	0.013	5.5	3.5
CM7560-823	82	0.013	5.5	3.5
CM7560-104	100	0.013	5.5	3.5
CM7560-124	120	0.015	5.5	4.5
CM7560-154	150	0.015	5.5	6.0
CM7560-184	180	0.019	4.5	7.0
CM7560-224	220	0.020	4.5	7.5
CM7560-274	270	0.025	4.5	9.0
CM7560-334	330	0.025	3.5	12
CM7560-474	470	0.030	3.5	14
CM7560-564	560	0.035	3.5	18
CM7560-684	680	0.040	3.5	20
CM7560-824	820	0.060	2.8	24
CM7560-105	1000	0.065	2.8	30
CM7560-125	1200	0.095	2.2	35
CM7560-155	1500	0.115	1.7	40
CM7560-185	1800	0.125	1.7	45
CM7560-225	2200	0.170	1.4	55
CM7560-275	2700	0.180	1.4	75
CM7560-335	3300	0.320	1.1	90
CM7560-395	3900	0.400	1.1	100
CM7560-475	4700	0.450	0.88	130
CM7560-565	5600	0.500	0.88	175
CM7560-685	6800	0.600	0.88	220
CM7560-825	8200	0.750	0.88	230
CM7560-106	10000	0.800	0.70	250
CM7560-126	12000	0.900	0.70	300
CM7560-156	15000	1.00	0.70	350
CM7560-186	18000	1.30	0.55	425
CM7560-226	22000	1.50	0.55	475
CM7560-276	27000	1.80	0.44	550
CM7560-336	33000	2.20	0.44	650
CM7560-396	39000	2.60	0.44	800
CM7560-476	47000	3.00	0.44	900
CM7560-566	56000	4.00	0.35	1100
CM7560-686	68000	5.00	0.27	1300
CM7560-826	82000	5.50	0.27	1800
CM7560-107	100000	6.40	0.27	2100
CM7560-127	120000	7.80	0.22	2600
CM7560-157	150000	9.00	0.22	3000