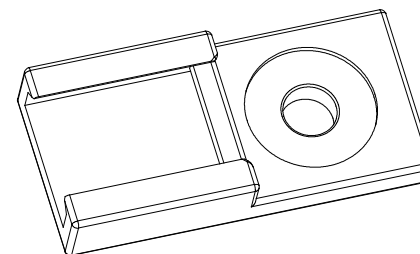
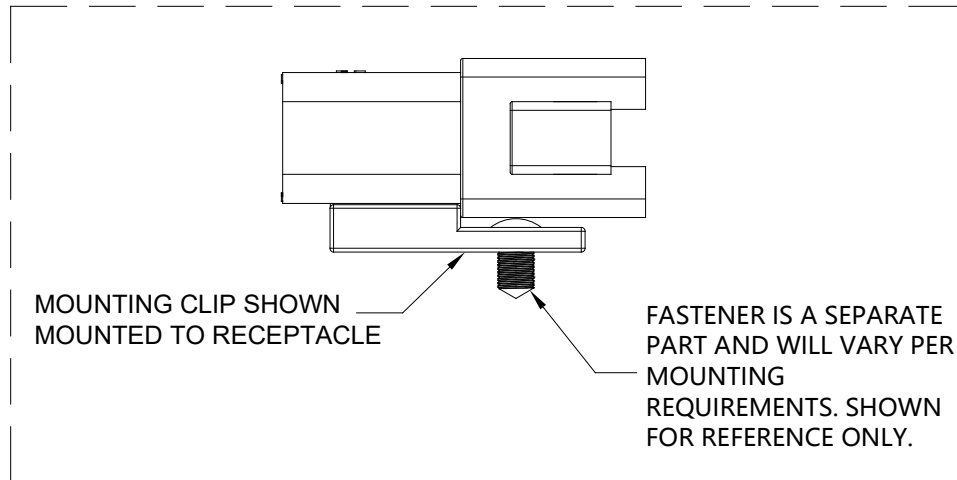
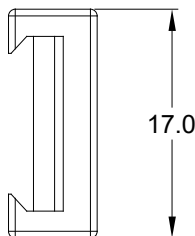
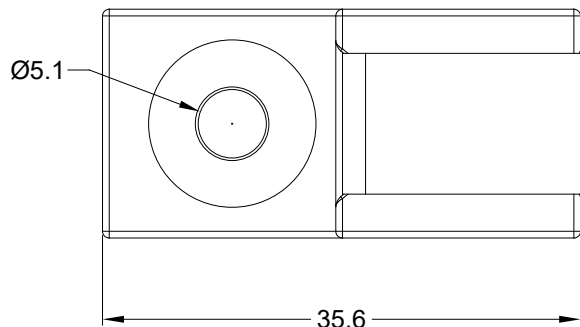
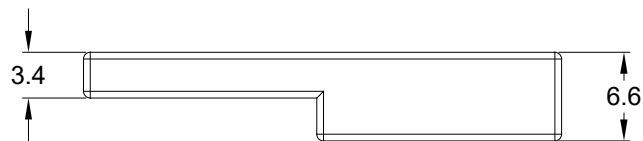


REVISIONS

REV	ECO	DESCRIPTION	DATE	BY	APPR
A1	--	RELEASE NUMBER	14/DEC/17	ROOKIE	TOMMY
A2	C1060S	UPDATE DRAWING	05/JUL/19	JOE	TOMMY



NOTES: UNLESS OTHERWISE SPECIFIED

1. MATERIAL: THERMOPLASTIC; COLOR: GREY

2. RoHS COMPLIANT

3. USE WITH CONNECTORS  
 A.AT04-2P\*/3P\*/4P\*/6P\*/12P\*  
 B.ATM04-2P\*~12P\*  
 C.ATP04-2P\*/4P\*  
 D.ATV04-\*  
 E.ATHD04-\*  
 (\* = MODIFICATIONS AND/OR COLORS)

4. ALL DIMENSIONS ARE FOR REFERENCE USE ONLY.

AT11-026-0205		REF: 011-026-0205	
QUANTITY	PART NUMBER	DESCRIPTION	ITEM
<b>MATERIALS LIST</b>			
UNLESS OTHERWISE SPECIFIED 1) All dimensions are in metric(mm). 2) Tolerances are as follows: 1 PL DEC ±0.30    Fractions ±1/64 2 PL DEC ±0.15    Angles ±1° 3 PL DEC ±0.08 3) Note reference =		SIGNATURES    DATE DRAWN:    JOE.SONG    05/JUL/19 CHECKED:    ORION.LI    05/JUL/19 ENGINEER: APPROVAL:    TOMMY.XIE    05/JUL/19 CUSTOMER:	<h1 style="text-align: center;">Amphenol</h1> <p style="text-align: center;">Sine Systems - www.amphenol-sine.com                  44724 Morley Drive                  Clinton Township, MI 48036</p>
MATERIAL SPECIFICATIONS:	THIS DRAWING IS SUPPLIED FOR INFORMATION ONLY. DESIGN FEATURES, SPECIFICATIONS AND PERFORMANCE DATA SHOWN HEREON ARE THE PROPERTY OF THE AMPHENOL CORPORATION. NO RIGHTS OF REPRODUCTION ARE IMPLIED. ALL DIMENSIONS ARE SUBJECT TO NORMAL MANUFACTURING VARIATIONS.		
PROCESS SPECIFICATIONS:	MOUNTING CLIP,AT,ATM,ATP,PLASTIC,GRY SIZE    TYPE    DWG NO:    REVISION <b>A</b> <b>C-</b> AT11-026-0205 <b>A2</b>		
NEXT ASSY:	SCALE: NONE		SHEET 1 OF 1