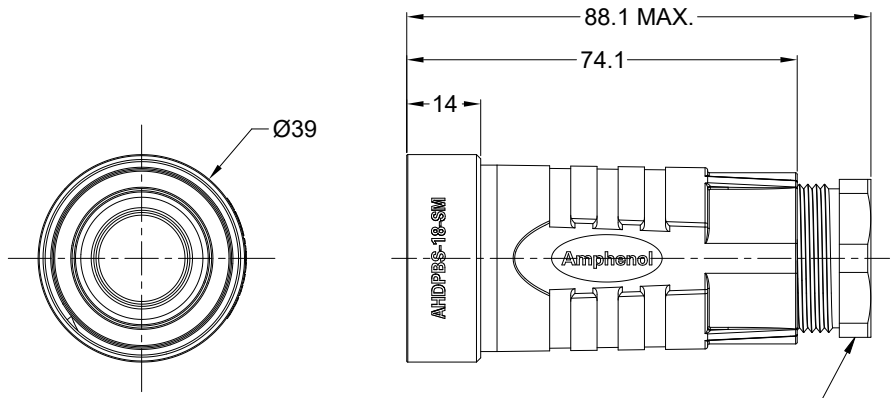
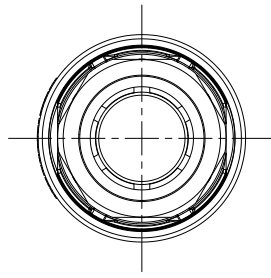


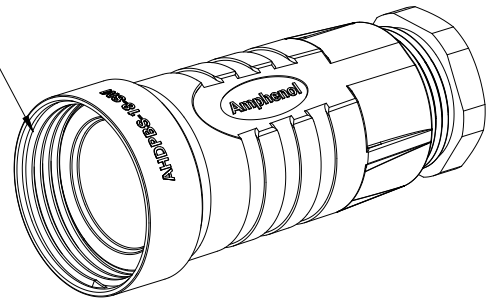
REVISIONS					
REV	ECO	DESCRIPTION	DATE	BY	APPR
A1		RELEASE DRAWING	15MAR20	SULLENTOMMY	



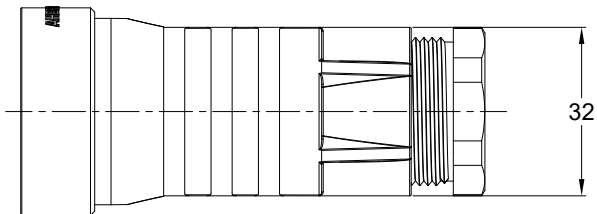
SCREW CONNECTION  
TIGHTENING TORQUE 2.5-3Nm



1 7/16-12 UN-2B  
THREAD



REAR RUBBER RING ID	CABLE OD RANGE
Ø16.5MM	Ø13.0-16.0MM



NOTES: UNLESS OTHERWISE SPECIFIED

- MATERIAL:  
BACK SHELL: THERMOPLASTIC  
RUBBER RING: SILICONE RUBBER  
CAGE CLAMP: THERMOPLASTIC  
PRESSURE NUT: THERMOPLASTIC
- COLORS: BLACK
- RoHS COMPLIANT
- USE WITH SIZE 18 AHDP SERIES WTA MODIFICATION
- ALL DIMENSIONS ARE FOR REFERENCE USE ONLY.

AHDPBS-18-SM01		DESCRIPTION		ITEM
PART NUMBER		DESCRIPTION		ITEM
QUANTITY	<b>MATERIALS LIST</b>			
<b>UNLESS OTHERWISE SPECIFIED</b>		<b>SIGNATURES</b>	<b>DATE</b>	<h1 style="text-align: center;">Amphenol</h1> <p style="text-align: center;">Sine Systems - <a href="http://www.amphenol-sine.com">www.amphenol-sine.com</a> 44724 Morley Drive Clinton Township, MI 48036</p> <p style="text-align: center;"><b>BACKSHELL,SIZE 18,AHDP</b></p>
1) All dimensions are in metric(mm).		DRAWN: <b>SULLENZHANG</b>	15MAR20	
2) Tolerances are as follows:		CHECKED: <b>ORION.LI</b>	16MAR20	
1 PL DEC ±0.30		ENGINEER:		
2 PL DEC ±0.15		APPROVAL: <b>TOMMY.XIE</b>	17MAR20	
3 PL DEC ±0.08		CUSTOMER:		
3) Note reference =		THIS DRAWING IS SUPPLIED FOR INFORMATION ONLY. DESIGN FEATURES, SPECIFICATIONS AND PERFORMANCE DATA SHOWN HEREON ARE THE PROPERTY OF THE AMPHENOL CORPORATION. NO RIGHTS OF REPRODUCTION ARE IMPLIED. ALL DIMENSIONS ARE SUBJECT TO NORMAL MANUFACTURING VARIATIONS.		
MATERIAL SPECIFICATIONS:		<b>SIZE</b>	<b>TYPE</b>	<b>DWG NO:</b>
PROCESS SPECIFICATIONS:		<b>A</b>	<b>C-</b>	<b>AHDPBS-18-SM01</b>
NEXT ASSY:		<b>SCALE:</b>	<b>REVISION</b>	<b>A1</b>
		<b>NONE</b>	SHEET 1 OF 1	