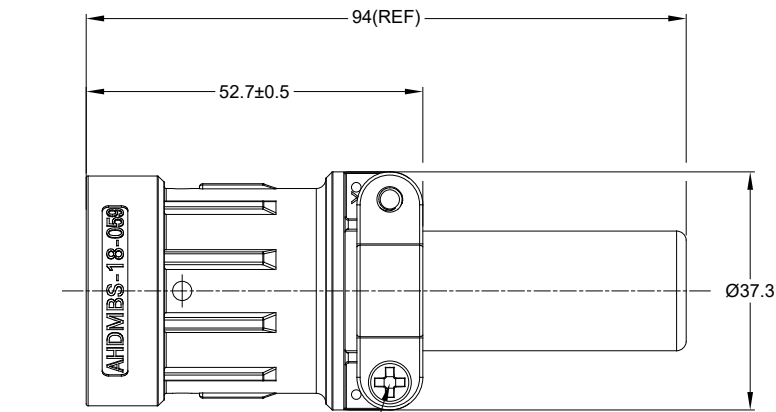
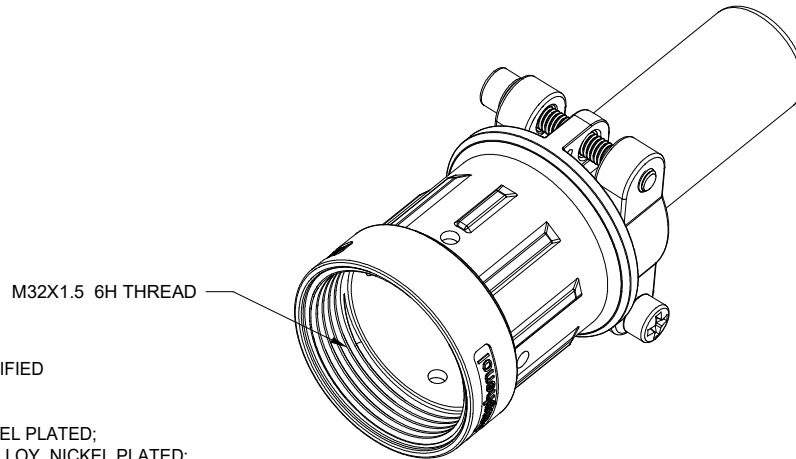
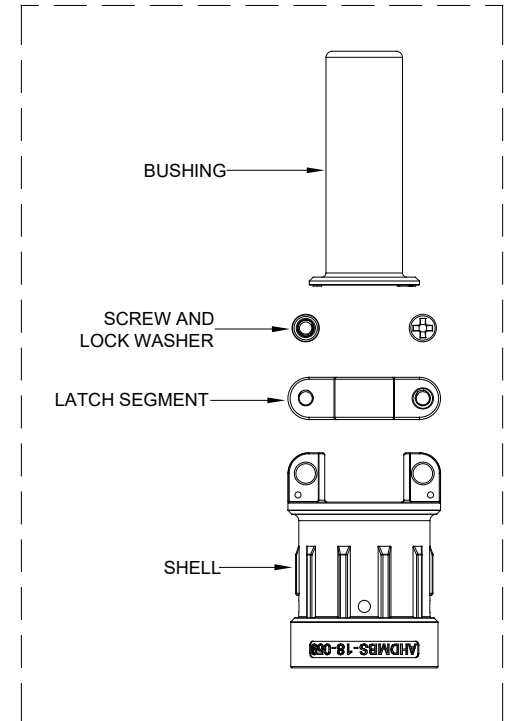
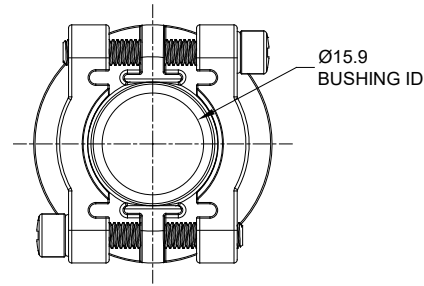


REVISIONS					
REV	ECO	DESCRIPTION	DATE	BY	APPR
A1	--	RELEASE NEW PRODUCT	30/AUG/19	ROOKIE	TOMMY
A2	--	REVISED BUSHING NOTES	20MAR2020	J.HEAD	DH



RECOMMENDED TORQUE : 1.5-2.0 N.M



M32X1.5 6H THREAD

NOTES: UNLESS OTHERWISE SPECIFIED

- MATERIAL:  
SHELL: ALUMINIUM ALLOY, NICKEL PLATED;  
LATCH SEGMENT: ALUMINIUM ALLOY, NICKEL PLATED;  
SCREW AND LOCK WASHER: STAINLESS STEEL;  
BUSHING: EPDM.
- USE WITH AHDM SERIES SIZE 18 MODIFICATION .
- APPLY TO CABLE OD SIZE: Ø11.20-Ø19.30 . CAN BE USED WITH OR WITHOUT BUSHING.
- RoHS COMPLIANT.
- ALL DIMENSIONS ARE FOR REFERENCE USE ONLY.

AHDMS-18-059		DESCRIPTION		ITEM
PART NUMBER				
QUANTITY		MATERIALS LIST		
UNLESS OTHERWISE SPECIFIED		SIGNATURES		DATE
1) All dimensions are in metric(mm).		DRAWN: ROOKIE		30/AUG/19
2) Tolerances are as follows:		CHECKED: ORION		30/AUG/19
1 PL DEC ±0.30		FRACTIONS ±1/64		
2 PL DEC ±0.15		ANGLES ±1°		
3 PL DEC ±0.08		APPROVAL: TOMMY		30/AUG/19
3) Note reference =		CUSTOMER:		
MATERIAL SPECIFICATIONS:		THIS DRAWING IS SUPPLIED FOR INFORMATION ONLY. DESIGN FEATURES, SPECIFICATIONS AND PERFORMANCE DATA SHOWN HEREON ARE THE PROPERTY OF THE AMPHENOL CORPORATION. NO RIGHTS OF REPRODUCTION ARE IMPLIED. ALL DIMENSIONS ARE SUBJECT TO NORMAL MANUFACTURING VARIATIONS.		
PROCESS SPECIFICATIONS:		SIZE: B C-		TYPE: A2
NEXT ASSY:		SCALE: NONE		
		SINE SYSTEMS - www.amphenol-sine.com 44724 Morley Drive Clinton Township, MI 48036		
		BACKSHELL, CABLE CLAMP, 18 SZ, AHDM		
		AHDMS-18-059		A2
		SHEET 1 OF 1		

TITLE: BACKSHELL, CABLE CLAMP, 18 SZ, AHDM  
DWG NO: AHDMS-18-059  
REV: A2  
SH: 1  
OF: 1