

PERFORMANCE

Range	0 - 2000 ppm
Maximum overload	10000 ppm
Sensitivity.....	21 - 64 nA/ppm NO
Zero in air at 20 °C.....	-1 to +67 ppm NO
Zero deviation (-20 to +50 °C)	-2 to +10 ppm NO
Resolution.....	0.5 ppm NO
Linearity	linear across range
Response time, t90.....	<60 s
Long-term output drift	<2% signal/month
Warranty	2 years

OPERATING CONDITIONS

Temperature range	-20 to +50 °C
Operating humidity.....	15 - 90% RH (non-condensing)
Pressure range	90 - 110 kPa (nominal)
Operating circuit.....	see Electrochemical Toxic Sensor Application Note
Applied potential	+300 mV
Storage life.....	6 months in original packaging (0 - 25 °C)

PHYSICAL CHARACTERISTICS

Label colour	silver
Weight.....	5 g approx.
Dimensions	see outline

This device is designed to be RoHS compliant.

CROSS-SENSITIVITY DATA

TBA

TEMPERATURE DEPENDENCE

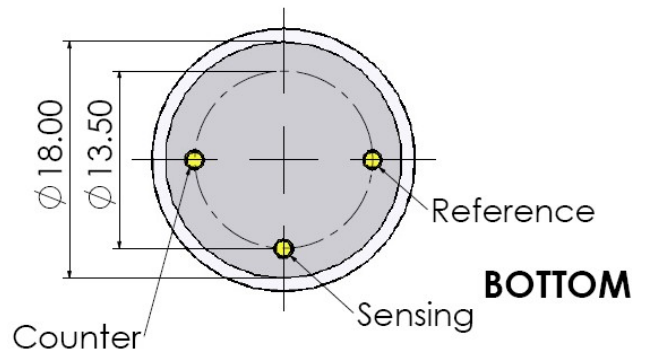
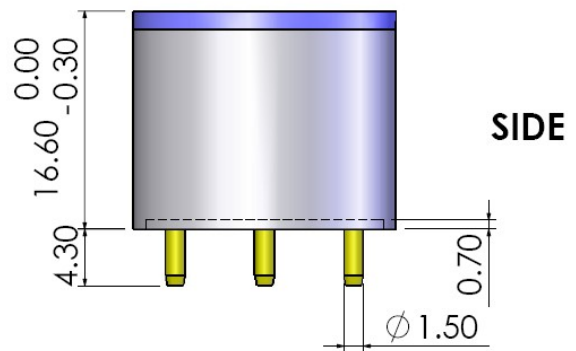
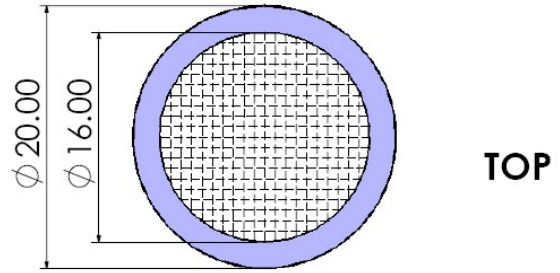
TBA

Important Note

Do not solder to the connector pins as this may damage the sensor and thereby invalidate the warranty.

Details on recommended connector pins can be found in the Frequently Asked Questions within the Gas Sensor section of the SGX website.

OUTLINE



All dimensions in mm.
All tolerances ±0.15mm unless otherwise stated.