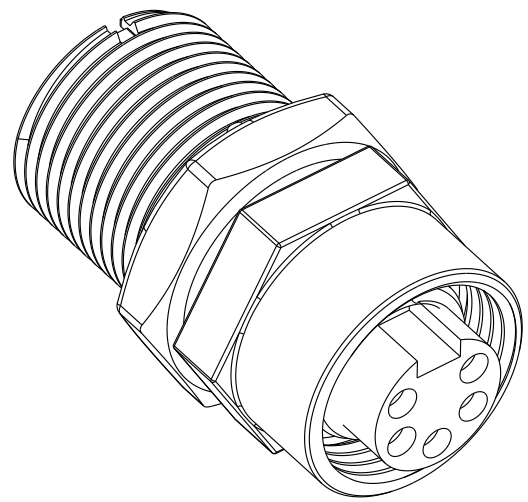
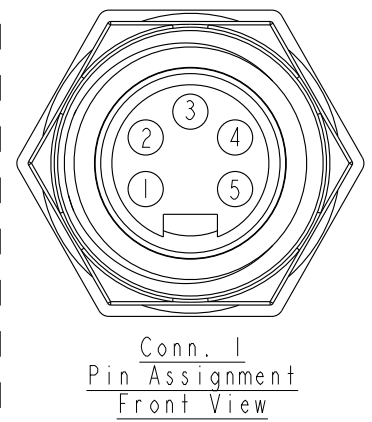
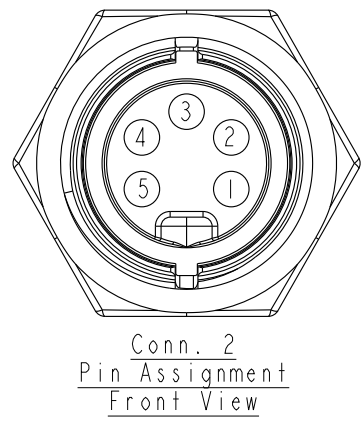
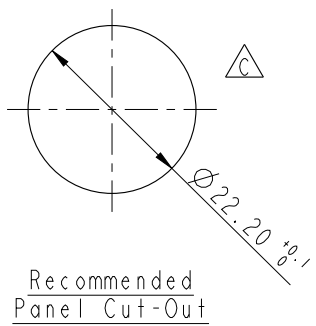
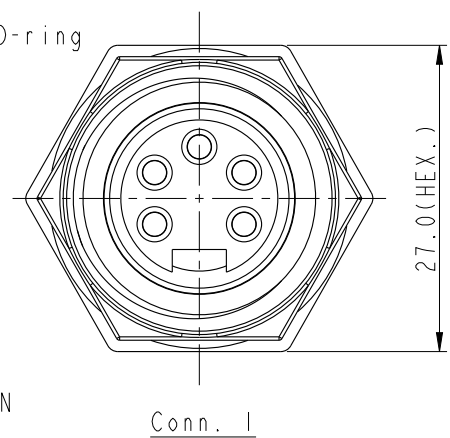
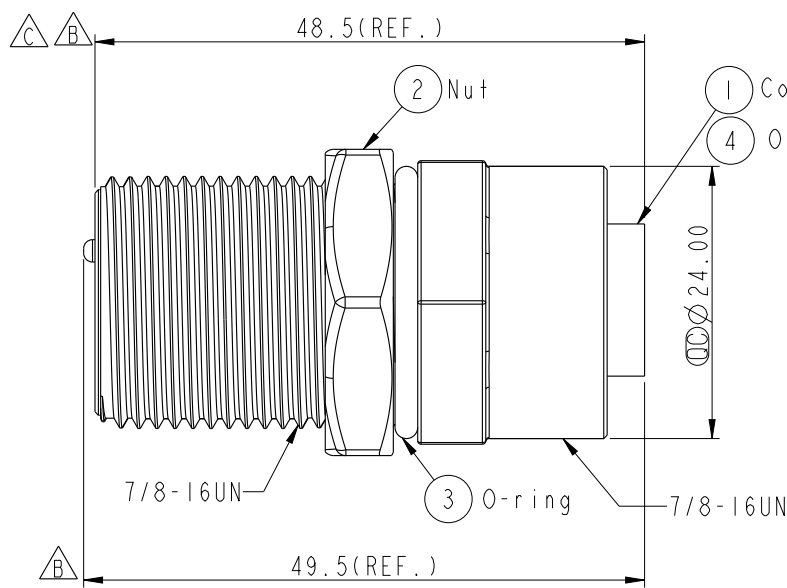
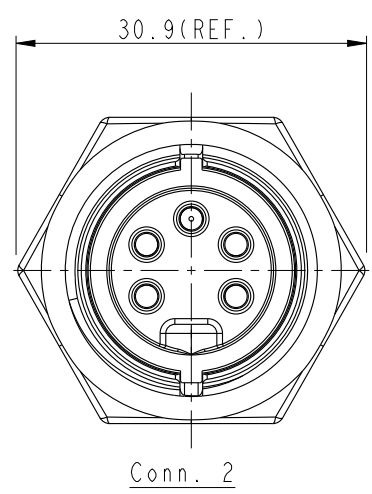


THIS DOCUMENT IS SUBJECT TO CHANGE WITHOUT NOTICE. IT IS CONFIDENTIAL AND A PROPERTY OF Amphenol LTW. DISCLOSURE TO THIRD PARTY HAS TO BE AUTHORIZED BY Amphenol LTW.

REV.	ECN NO.	DATE	SIGN	DESCRIPTION
B	LEN1380067	2013/08/06	SAM	Change Dimension.
C	LEN1610051	2016/01/04	Jiawei	Change Dimension.

**ALTW**  
**CONFIDENTIAL**  
 2016-01-04  
**R&D DEPT.**



**ALTW**  
**DCC. DEPT.**  
**CONFIDENTIAL**  
 2016.01.12  
**ISSUED**

- Note:
- \* (C) Important Dimension.
  - \* Waterproof Rate: IP68  
 IP68: 1M Depth Of Water In 24hours.
  - \* Conn1&2.: Nylon+GF, Black
  - \* Pin: Copper Alloy, Gold Plated
  - \* Shield: Brass, Nickel Plated
  - \* Nut: Brass, Nickel Plated
  - \* Liquid Glue: Clear
  - \* O-ring: Black, EPDM

UNIT: mm		
TOLERANCE		
.X	±0.25	
.XX	±0.1	
.XXX	±0.05	
ANGLES	±1°	

TITLE MNEA2000 MINI-C BULKHEAD			
SCALE 3:2	SIZE A4	SHEET 1 OF 1	
REV. C	WC-REV. A.3	(C): Inspection item	

**Amphenol LTW**  
 安費諾亮泰企業股份有限公司

ITEM NO. MN-000505-0FM-BS001	DRAWN BY Jiawei	DATE 2016-01-04
DWG NO. MN-000505-0FM-BS001	CHECKED BY Mafei	DATE 2016-01-04
CUSTOMER ALTW	APPROVED BY Jerry	DATE 2016-01-04