

RoHS COMPATIBLE PRODUCT NUMBER  
54122-XXXXXXXXXLF

STANDARD PRODUCT NUMBER  
54122-XXX-XX-XXXXX

PLATING  
1 = 0.76µm GOLD ON CONTACT AREA  
2µm MIN MATTE TIN ON TAIL  
OVER 1.27µm Ni MIN  
8 = 0.38µm GOLD ON CONTACT AREA  
2µm MIN MATTE TIN ON TAIL  
OVER 1.27µm Ni MIN  
4 = 2µm MIN MATTE TIN  
OVER 1.27µm Ni MIN

INDICATES THE PRODUCT IS RoHS COMPATIBLE SEE NOTE 9  
R : RETENTIVE LEG NOTE 8  
STACK HEIGHT NOTE 6  
TOTAL NB OF POSITIONS 04 TO 72

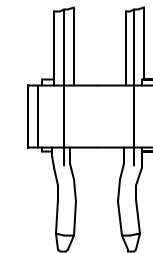
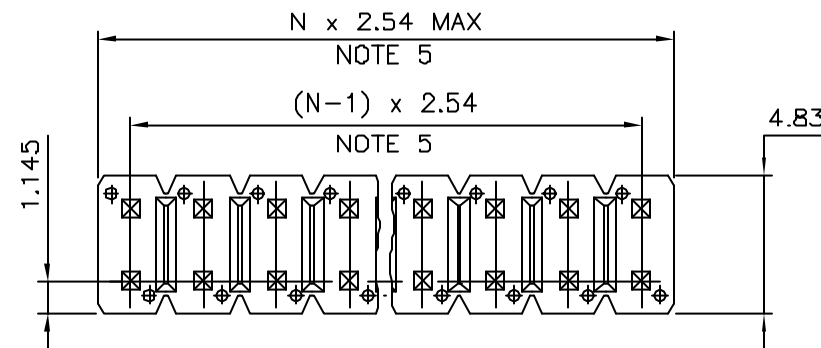
PLATING  
1 = 0.76µm GOLD ON CONTACT AREA  
3.81µm TIN/LEAD ON TAIL  
OVER 1.27µm Ni MIN  
8 = 0.38µm GOLD ON CONTACT AREA  
3.81µm TIN/LEAD ON TAIL  
OVER 1.27µm Ni MIN  
4 = TIN LEAD  
OVER 1.27µm Ni MIN

R : RETENTIVE LEG NOTE 8  
STACK HEIGHT NOTE 6  
TOTAL NB OF POSITIONS 04 TO 72

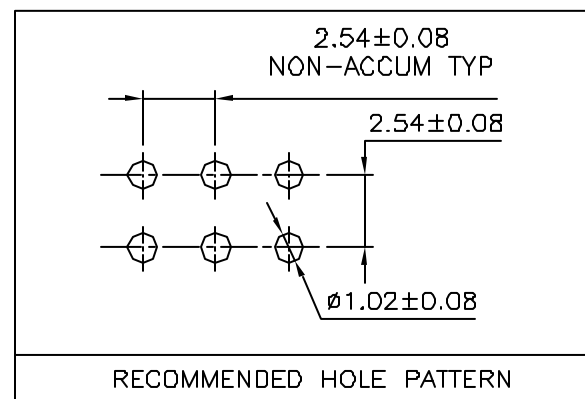
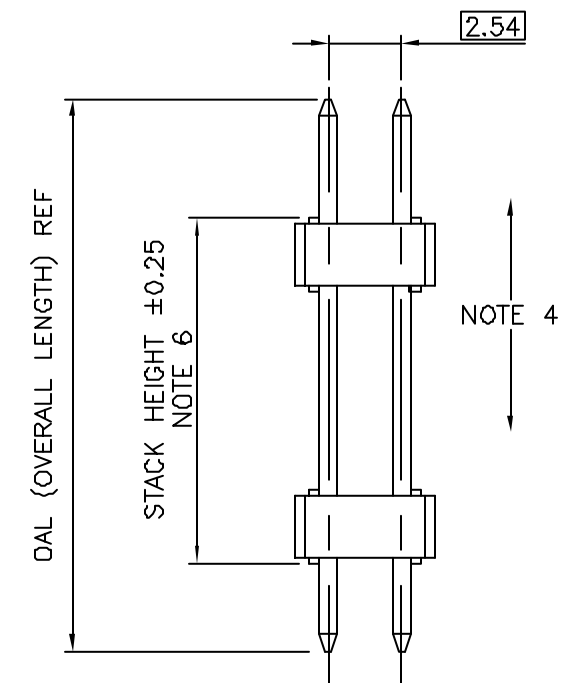
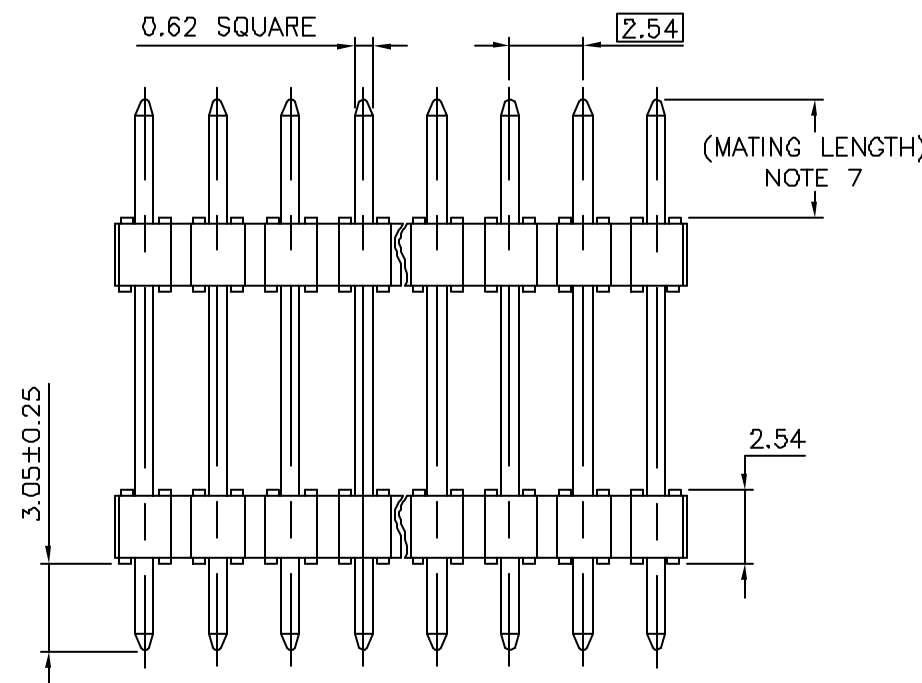
NOTES:

- HOUSING MAT'L : HIGH TEMPERATURE THERMOPLASTIC. UL94V-0 COLOR: BLACK
- PIN MATERIAL : PHOSPHOR BRONZE
- PRODUCT PACKAGED IN PLASTIC BOX
- 9N MIN RETENTION IN EITHER DIRECTION
- TO DETERMINE DIMENSIONS :  
N = NUMBER OF POSITIONS PER ROW  
EXAMPLE : 8 POS PER ROW,  $N \times 2.54 = 20.32\text{mm}$
- XXXX = MILLIMETERS SPECIFY MILLIMETERS  
8mm MIN TO 25.0mm MAX AVAILABLE  
IN 0.5mm INCREMENT  
EXAMPLE FOR STACK HEIGHT:  $\underline{1} \underline{2} \underline{5} \underline{0} = 12.5\text{mm}$
- MATING LENGTH = (OAL)-(3.05)-(STACK HEIGHT)
- RETENTION IS APPLIED TO TWO ADJACENT PINS AT EACH END OF THE PRODUCT SEE SCHEMA 1  
OMIT FROM PRODUCT NUMBER IF THIS FEATURE IS NOT APPLICABLE
- RoHS COMPATIBLE PRODUCT SPECIFICATIONS

PIN STYLE	DAL
01	12.2
02	13.5
03	15.9
04	16.76
05	17.65
06	18.91
07	20.96
08	23.5
09	26.04
10	28.58
11	31.12
12	33.66
13	34
14	26.42
15	16.56
16	36.2
18	28



SCHEMA 1  
TWO RETENTION PIN AT EACH END OF THE PRODUCT



mat'l. code		surface		tolerance		projection		product family	
SEE NOTES		ISO 1302 ✓		ISO 406 ISO 1101		mm		BERGSTIK	
ltr	ecn	na	dr	date	tolerances unless otherwise specified		title		
A	F10119	DLE	01.01.24		angles	x.x ±0.3	UNSHR.HEADER		
B	F10305	JCO	01.05.03		Linear	x.xx ±0.13	STR DR TMT		
C	F10535	LMU	01.09.21			x.xxx ±0.05	scale 4:1		
D	F20312	JCO	02.05.06	dr	D.LE	01.01.24	FCJ		dwg no
E	F03-0227	DLE	03.06.13	enrg	JM.C	01.01.24	sheet 1 of 1		size
F	F04-0385	LMU	04.12.16	chr	JM.C	01.01.24	54122		A3
G	F06-0196	LMU	06.06.13	appd	JF.N	01.01.24	type		Drawing
sheet index	revision sheet								



Copyright FCI